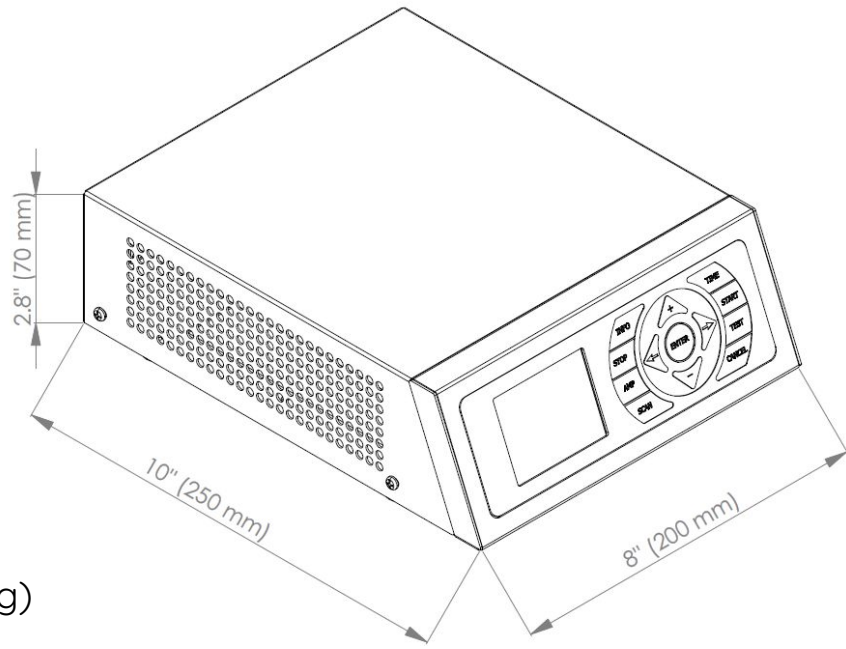
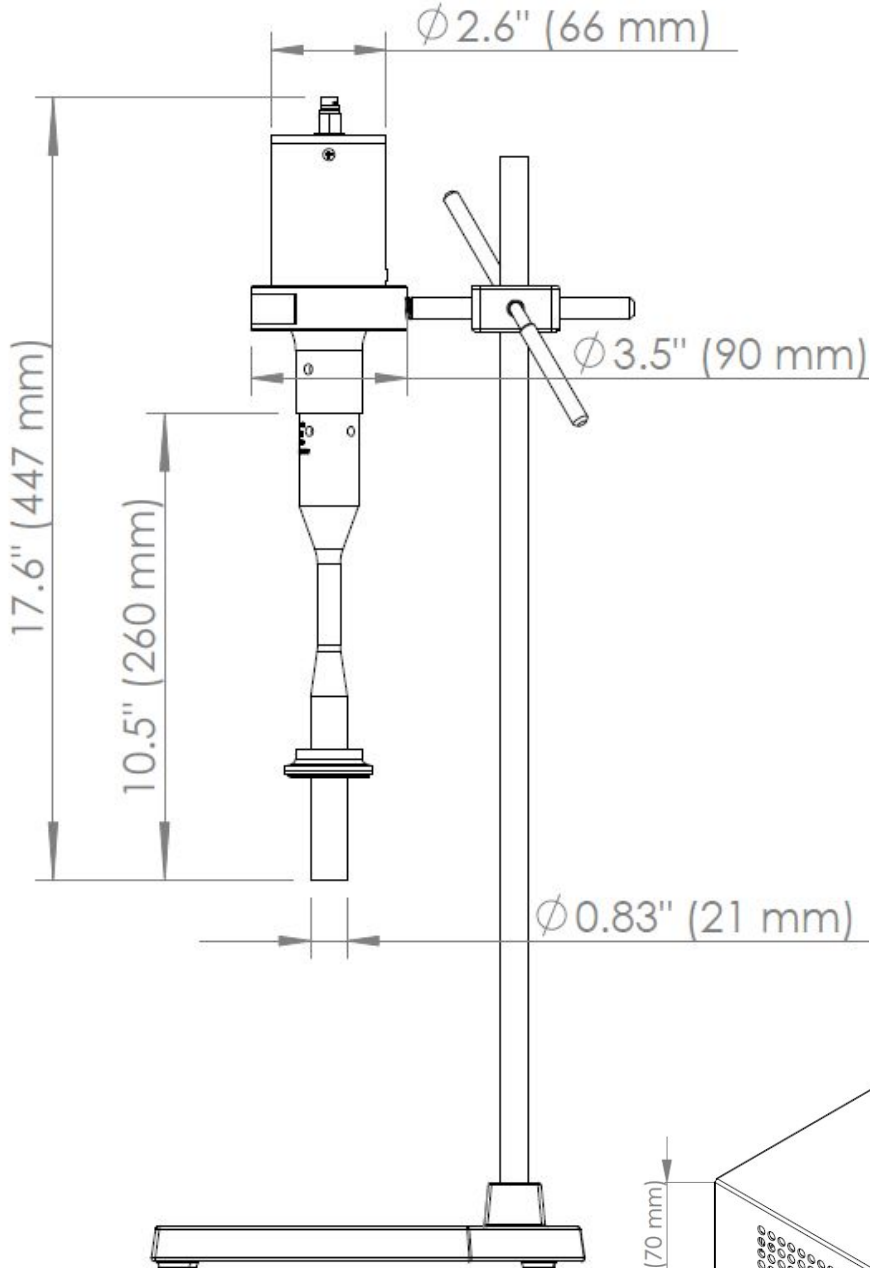




LSP-600 Ultrasonic Processor Dimensions and Weights

Batch Configuration (FBH Horn)



Weights:

- FBH horn - 1.1 lbs (0.5 kg)
- Reactor Chamber - 1.4 lbs (0.6 kg)
- Transducer - 2.6 lbs (1.2 kg)
- Generator - 13.1 lbs (6.4 kg)